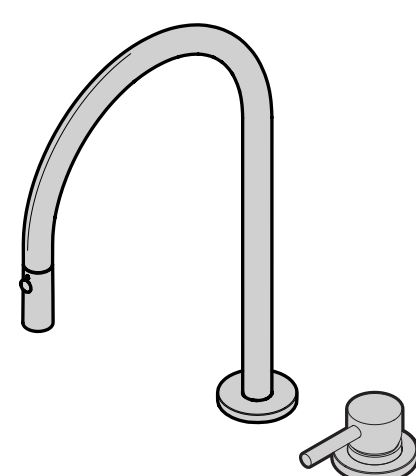


KOVA
SELECT



Install Instructions

Product
Single Handle Kitchen Faucet

Model Number
K0000000682 / K0000000683 / K0000000684
Polished Chrome Brushed Nickel Matte Black

kovaproducts.com

Rev. 1.0 | 2019 09

Safety Information

CAUTION: Always turn off the water supply before removing an existing faucet or replacing any part of a faucet. Open the faucet handle to relieve water pressure and ensure that the water is completely shut off.

CAUTION: Observe all local plumbing and building codes.

IMPORTANT: Cover the sink drain to avoid losing any parts.

IMPORTANT: Ensure all water lines are clear of debris before installing the new faucet.

Pre-Installation

Tools Required (not included)

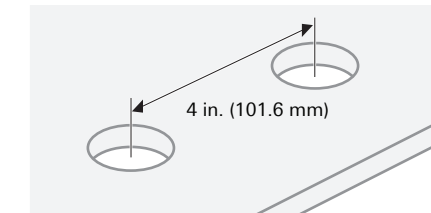
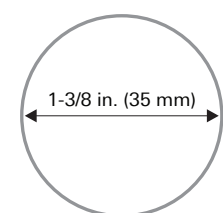


Adjustable wrench

Hole Dimensions for Spout and Mixer

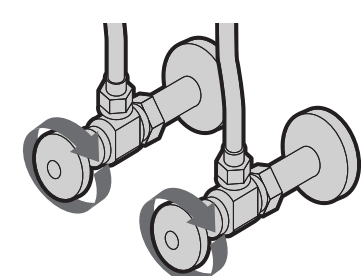
If you need to drill holes for the spout and mixer, please adhere to these dimensions:

- Hole diameter: 1-3/8 in. (35 mm) for both spout and mixer
- Spacing: 4 in. (101.6 mm) center-to-center recommended
- Alignment: Recommend to center the spout on the sink with the mixer on the right for right-handed installation



Before You Begin

Turn off all water supply valves, remove the old faucet (if necessary), and ensure the installation surface is clean.

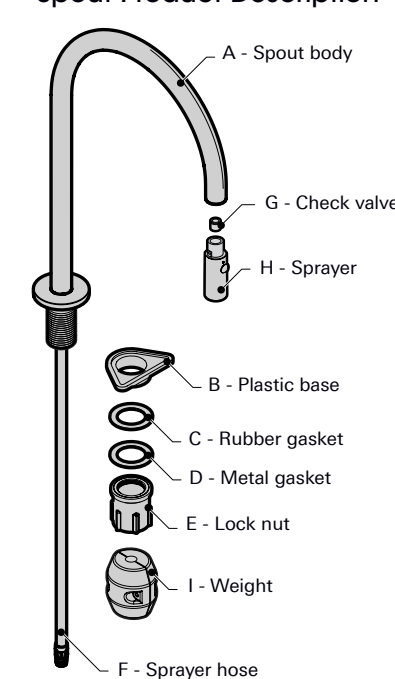


Recommended Installation Order

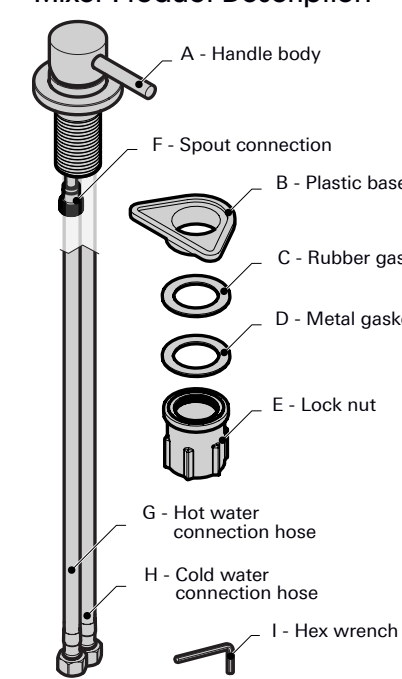
We recommend that you complete the installation tasks in the following order:

1. Install the spout.
2. Install the mixer.
3. Connect the water supplies.
4. Attach the weight.

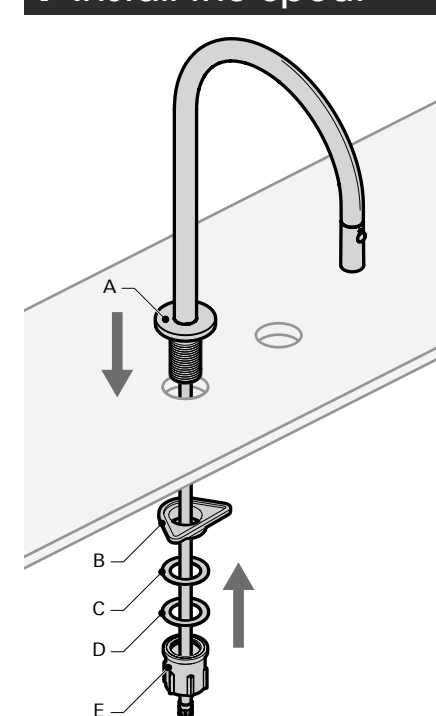
Spout Product Description



Mixer Product Description

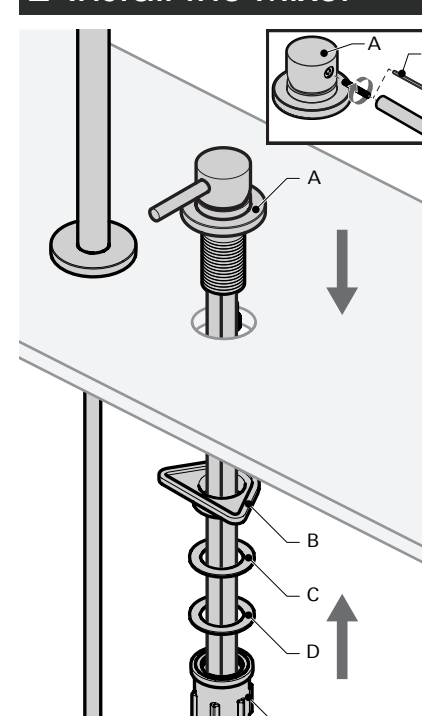


1 Install the Spout



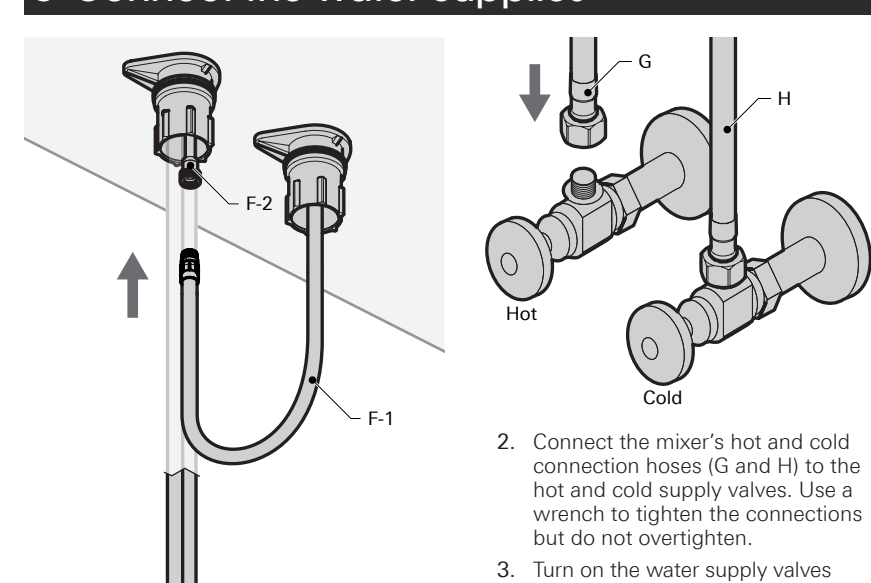
1. Place the spout (A) down into the left-side hole.
2. Secure the spout (A) in place by sliding the plastic base (B), rubber gasket (C), and metal gasket (D) up and tightening the lock nut (E) onto the bottom of the spout (A).

2 Install the Mixer



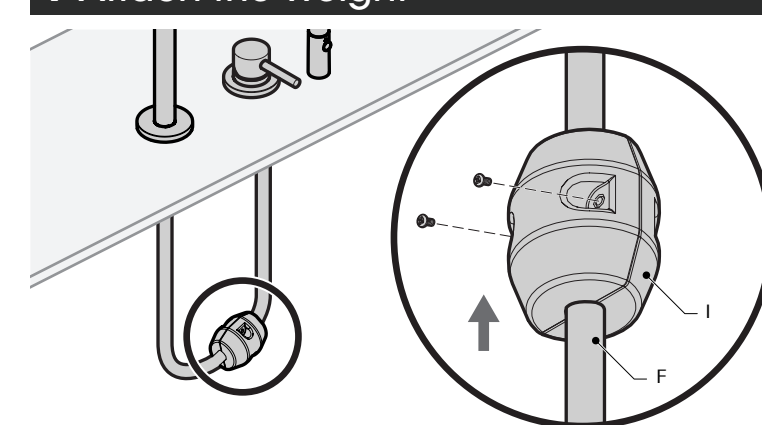
1. Place the handle (A) down into the right-side hole.
2. Secure the handle (A) in place by sliding the plastic base (B), rubber gasket (C), and metal gasket (D) up and tightening the lock nut (E) onto the bottom of the handle (A).
3. Ensure the set screw in the handle (A) is tightened using the hex wrench (I).

3 Connect the Water Supplies



1. Connect the sprayer hose (F-1) from the spout to the input connector (F-2) underneath the mixer.
2. Connect the mixer's hot and cold connection hoses (G and H) to the hot and cold supply valves. Use a wrench to tighten the connections but do not over-tighten.
3. Turn on the water supply valves and test the connections by turning on the faucet using the handle. Check for leaks to ensure proper installation. If there are no leaks, allow the water to run for at least a minute to flush away any debris that could cause damage to internal parts.

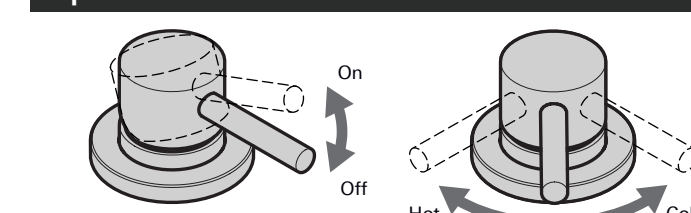
4 Attach the Weight



IMPORTANT: The weight must be attached after the water supplies are connected.

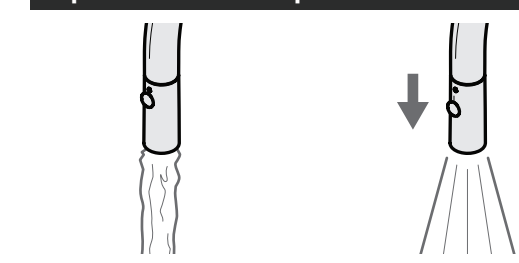
Attach the weight (I) towards the end of the sprayer hose (F). This allows for the fullest extension of the sprayer from the spout.

Operate the Mixer Handle



- Pull the mixer handle up to turn water on and push down to turn water off.
- Turn the mixer handle to the left for hot water and to the right for cold water.

Operate the Spout



Pull the sprayer out of the spout as needed for a better reach.

To change the flow of water from standard to spray, slide the button on the sprayer down.

Care and Maintenance

Clean the faucet frequently using clear water and mild soap. Wipe with a soft cloth. Do not use abrasive cleaners or materials.

Troubleshooting

CAUTION: Turn off all water connections and relieve pressure before working on the faucet.

Problem	Probable Cause	Solution
There are leaks underneath the mixer.	The cartridge in the mixer has come loose.	Remove the handle body from the mixer and tighten the cartridge using an adjustable wrench.
The spray head leaks or has an inconsistent water flow pattern.	The spray head is dirty, worn out, is not fitting correctly.	Clean the spray head to remove any debris.
The water does not shut off completely.	The washer in the cartridge of the mixer is either dirty or worn out.	Remove the handle body from the mixer. Then remove the entire valve assembly, remove and replace the cartridge if necessary, and check if the valve is damaged or dirty.

279.05 mm
[11.00 in.]

507.65 mm
[20.00 in.]

K0000000682-K0000000683-K0000000684 PAGE 1/1

1. Material: 70# (105.35 gsm) semi-gloss paper facestock
2. Fonts: Only Arial font may be used by suppliers to fill in the required information on the product labels. Minimum allowed font size is 8 pt.
3. Allowed Print Colors:

Color	HTML Color Code	RGB	CMYK	PMS
White	#FFFFFF	R 255 G 255 B 255	White	White
Off White	#F8F8F8	R 248 G 248 B 248	C 3 M 3 Y 6 K 7	Warm Grey 1C
Light Grey	#E1E1E1	R 208 G 208 B 208	C 18 M 13 Y 15 K 0	Cool Grey 2C
Mid Grey	#747474	R 116 G 116 B 116	C 62 M 52 Y 48 K 19	Cool Grey 10C
Ash	#2D2D2D	R 45 G 45 B 45	C 63 M 62 Y 59 K 88	439C
Coal	#101820	R 16 G 24 B 32	C 100 M 79 Y 44 K 93	Black 6C
Sol	#16621	R 242 G 102 B 33	C 1 M 74 Y 100 K 0	165C



KATERRA

542 1ST AVE SOUTH, SUITE 400
SEATTLE, WASHINGTON 98104

ALL DRAWINGS, SPECIFICATIONS, PLANS, IDEAS, ARRANGEMENTS AND DESIGNS REPRESENTED OR REFERRED TO ARE THE PROPERTY OF AND ARE OWNED BY KATERRA INC. WHETHER THE PROJECT FOR WHICH THEY ARE MADE IS EXECUTED OR NOT. THEY WERE CREATED, EVOLVED, DEVELOPED AND PRODUCED FOR THE SOLE USE ON AND IN CONNECTION WITH THIS PROJECT AND NONE OF THE ABOVE MAY BE DISCLOSED OR GIVEN TO OR USED BY ANY PERSON, FIRM OR CORPORATION FOR ANY USE OR PURPOSE WHATSOEVER INCLUDING ANY OTHER PROJECT, EXCEPT UPON WRITTEN PERMISSION AND DIRECTION OF KATERRA INC.

© 2019 KATERRA, INC.

KS

DOCUMENT
KS INSTALL MANUAL

VERSION
V0.1

DATE
09/04/2019

AUTHOR
VT

ALL UNITS ARE IN MILLIMETERS
UNLESS OTHERWISE STATED

TOLLERANCES ARE +/- 0.1 UNLESS
OTHERWISE STATED

PAGE 1 OF 1

SCALE: 1:1